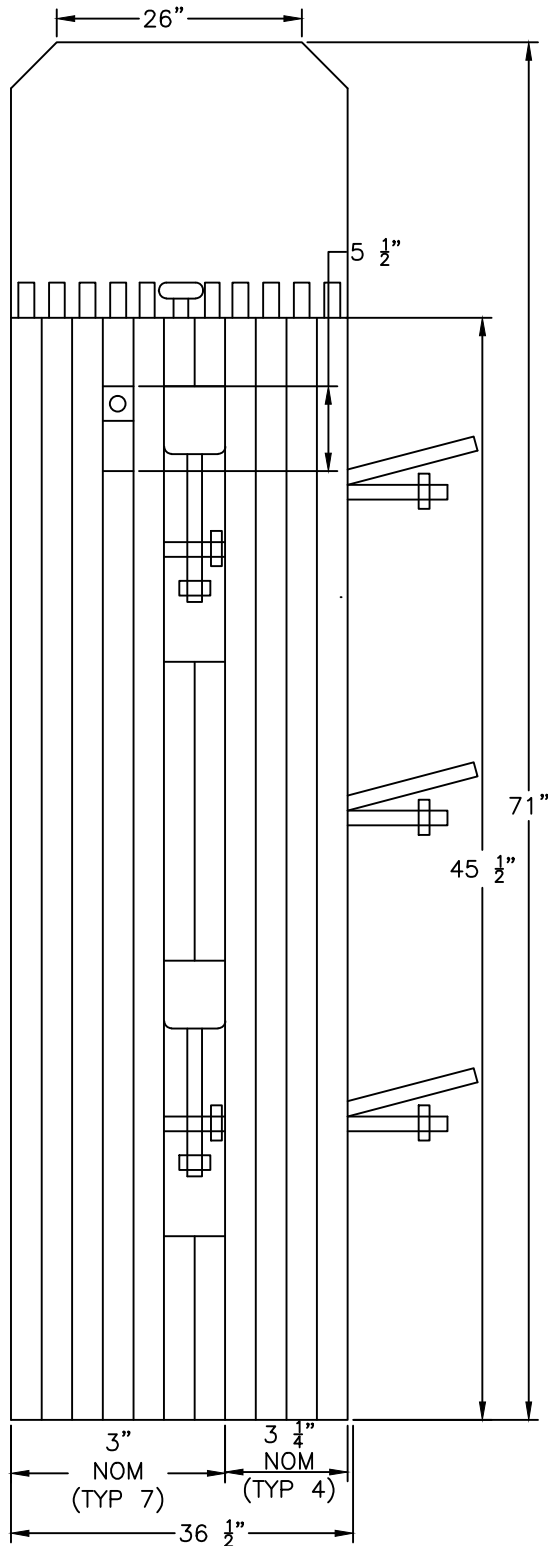


SPECIFICATIONS	
FREQUENCY:	2-30 MHz WITH TUNER (NOT SUPPLIED)
POWER RATING:	1 KW
POLARIZATION:	VERTICAL
CONSTRUCTION:	SHAKESPEARE FIBERGLASS PROCESS (ANTENNA SECTIONS)
ENVIRONMENT:	FOR ALL WEATHER ENVIRONMENTS
SALT FOG RESISTANT:	5% SALINITY SOLUTION
OPERATING TEMP:	-40° C TO +80° C
RADIATION:	OMNIDIRECTIONAL
BASE DIAMETER:	1.25 (NOMINAL)
TIP DIAMETER:	.25 (NOMINAL)
LENGTH:	4" DIA. BY 64" LONG
WEIGHT:	30 LBS (NOMINAL)
FINISH:	MILITARY GREEN
ALTITUDE:	UP TO 15,000 FT
WIND RATING:	UP TO 80 MPH (FOR 0.5" RADIAL ICE, REDUCE WIND RATING BY 40%)



(NSN:5985-01-453-4775)

ENGINEERING APPROVAL BY:		DATE:	DO NOT SCALE DRAWING UNLESS OTHERWISE SPECIFIED DIMENSIONS ARE IN INCHES. X = ± TOL_X JX = ± TOL_JX JXX = ± TOL_JXX ANGLES = ± TOL_ANG	 SINCE 1907 ELECTRONIC PRODUCTS GROUP COLUMBIA, S.C. 29203	DRAWN	ENG APPROVAL:	SCALE	DATE
REV	DESCRIPTION	BY			DATE	TR		-
				TRANSPORTABLE GROUND STAKE ANTENNA KIT				
				PART# 120-60				